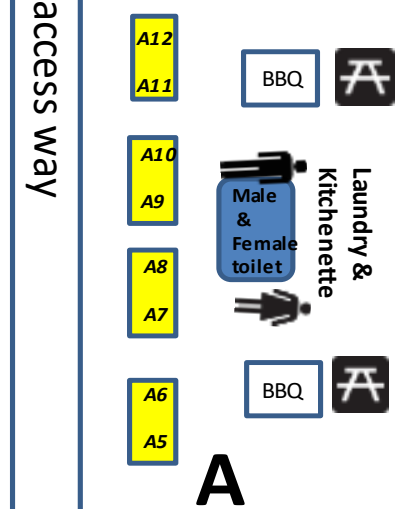
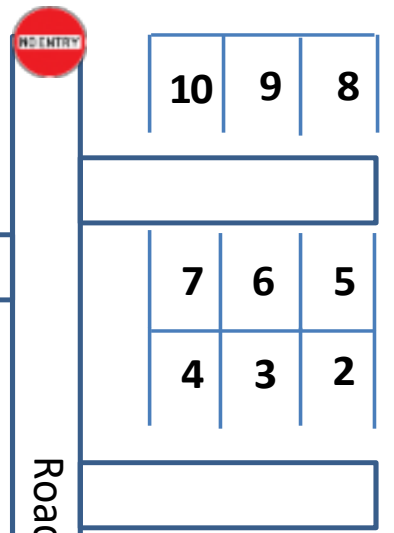
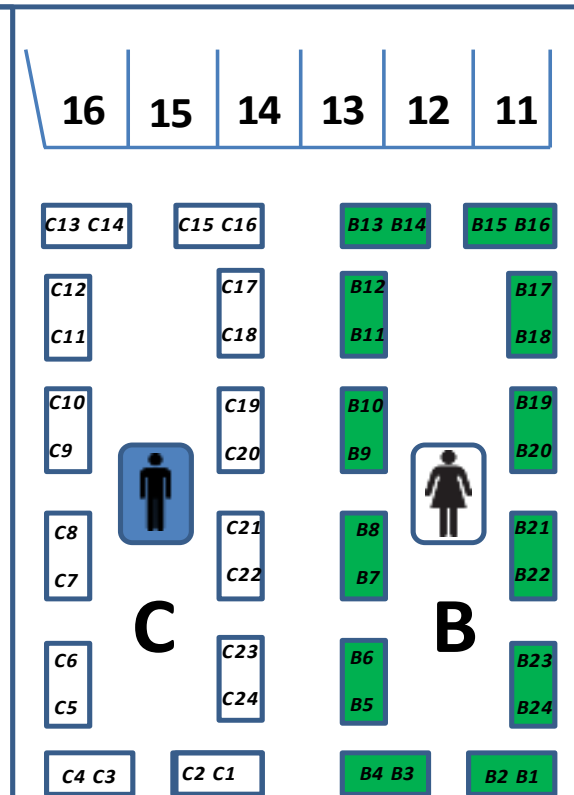
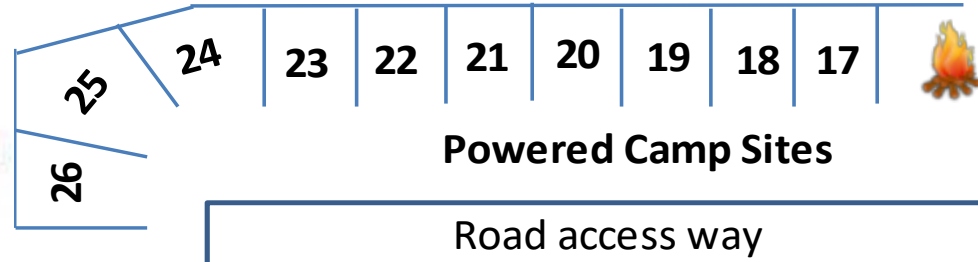
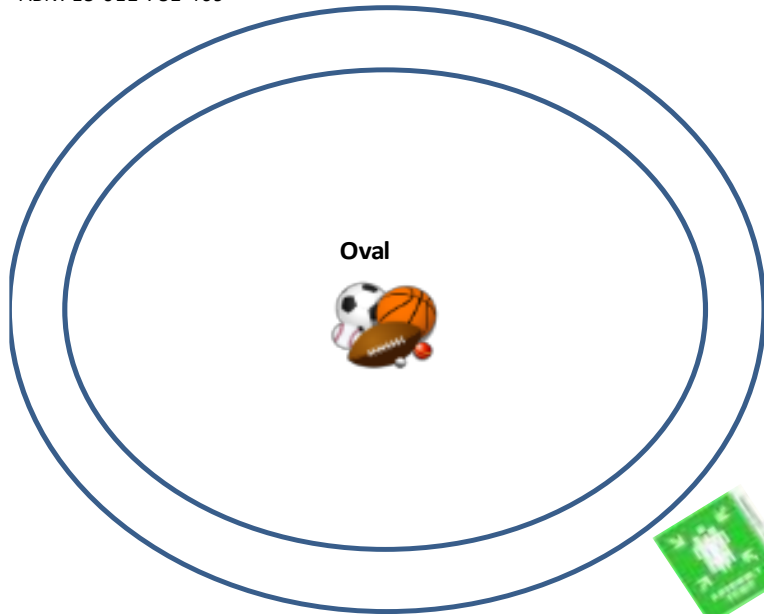




PO Box 485
 Proserpine QLD 4800
 Email: admin@campkanga.com.au
 Phone: 49472600
 ABN: 15 012 782 469



Managers Residence

Kitchen / Hall Office & Kiosk



YOU ARE HERE

